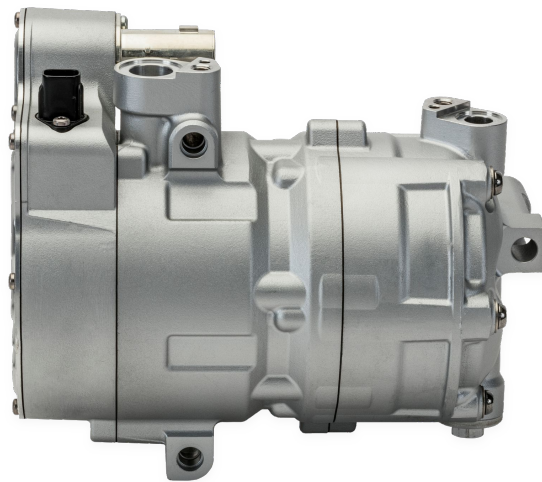




TME 34

VALEO ELECTRICAL COMPRESSOR
FOR AIR CONDITIONING AND BATTERY COOLING



Compact
Lightweight
Best in Class NVH
Fully in-house compressor
Heat pump and battery cooling functions



SMART TECHNOLOGY FOR SMARTER MOBILITY

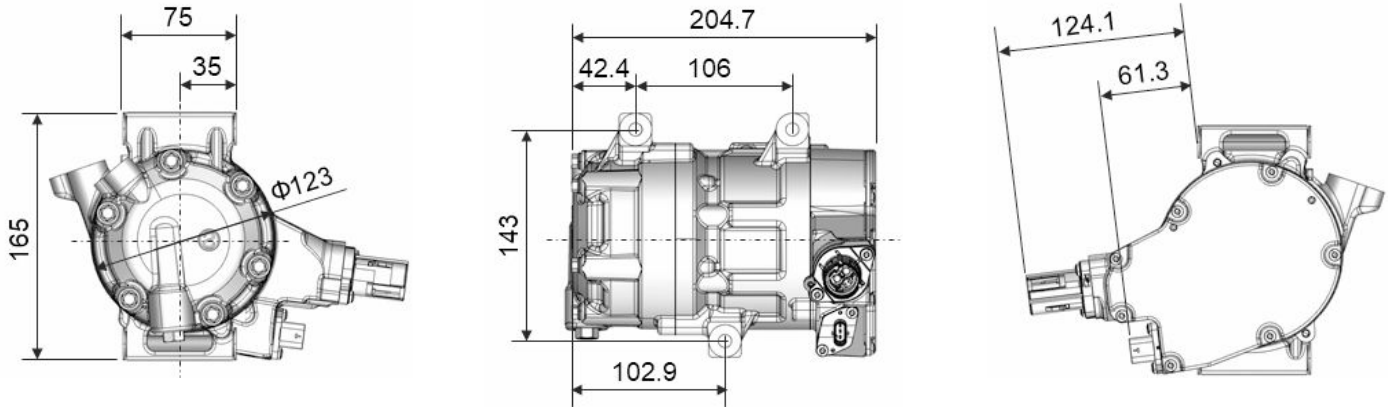
PRODUCT CHARACTERISTICS

GENERAL ITEMS	
COMPRESSOR TYPE	Horizontal scroll
MOTOR TYPE	Brushless DC Motor
USAGE	Cabin / Battery cooling and heat pump
SCROLL TIGHTNESS	Wear plate and top seal
DISPLACEMENT	33.5 cc
SHELL TYPE	Low pressure
SPEED	600-9000 rpm
WEIGHT	6.3 kg
SIZE	ø=123mm L=205mm
MOUNTING	VDA-L and multiple possibilities
VOLTAGE RANGE	200-470 V
CONTROL VOLTAGE	12 V (Min 8 - Max 16)
OPERATING TEMPERATURE	-30 degC / +125 degC (start = -25 degC / +125 degC)
COMMUNICATION	LIN* (*LIN-CAN converter available)
EMC	CISPR 2.5 - Radiated emission Class 5 above 2MHz
REFRIGERANT	R134a / R1234yf / R404A
OIL	PAG / POE (VC100YF / RG100EV) (150cc)

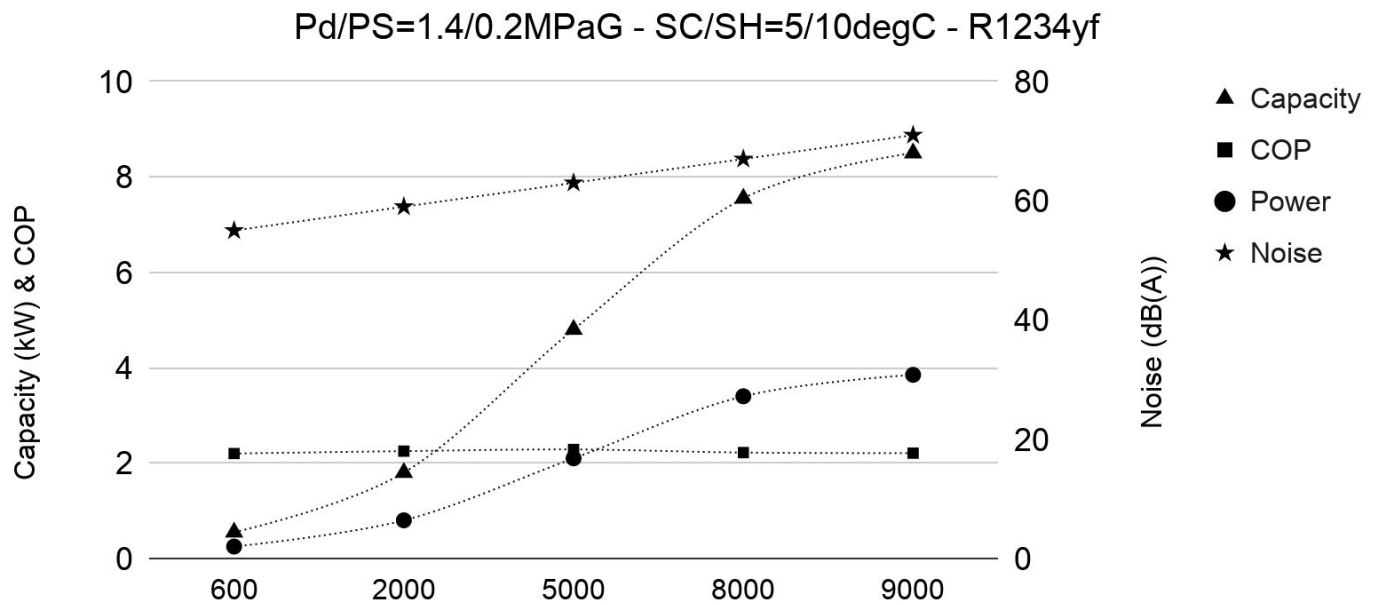
SAFETY ITEMS	
BURST PRESSURE	Discharge = 99 bar abs Suction = 45 bar abs
SAFETY VALVE PRESSURE	Discharge = 93 bar abs Suction = 31 bar abs

OTHERS	
WORKING PRESSURE	0.11 MPaG < > 3.0 MPaG
DISCHARGE TEMPERATURE	Max = 130 degC
MOUNTING ANGLE	+/- 20 degC Max

DESIGN



PERFORMANCES CURVES



OPERATING MAP

The Valeo **TME 34** must be operated within the green area shown on **Table 1 (R134a)** and **Table 2 (R404a)** :

Table 1:

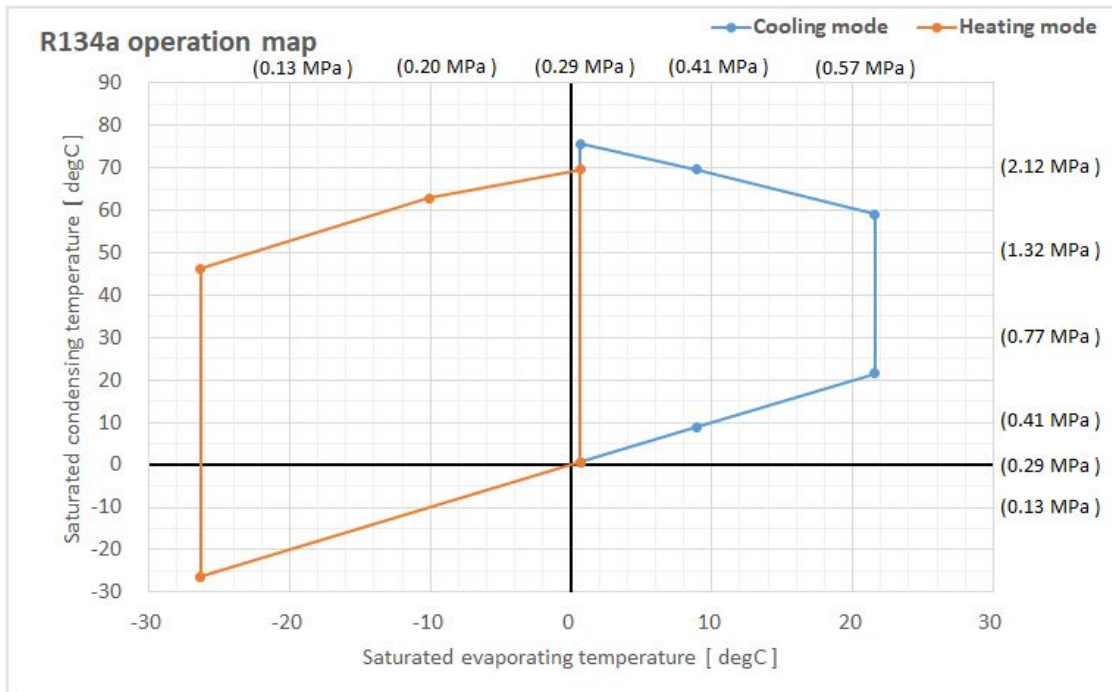


Table 2:

