

Technical specifications: **TM31 (DKS32)**



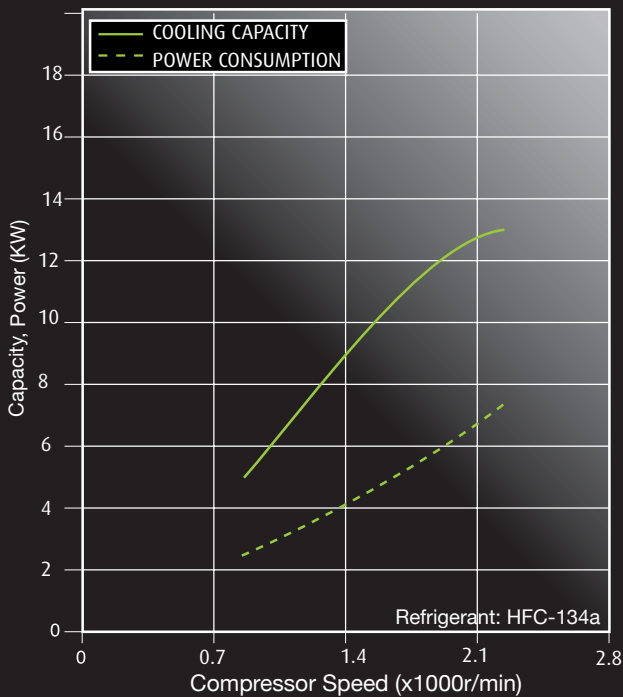
High capacity and heavy duty compressor
 -Smooth operation
 -High efficiency and durability
 -Optimized lubrication system with oil pump and sight glass



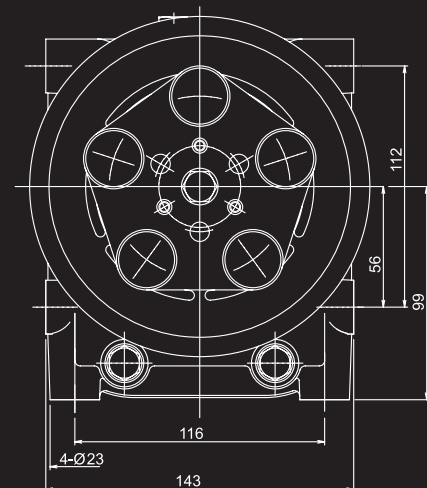
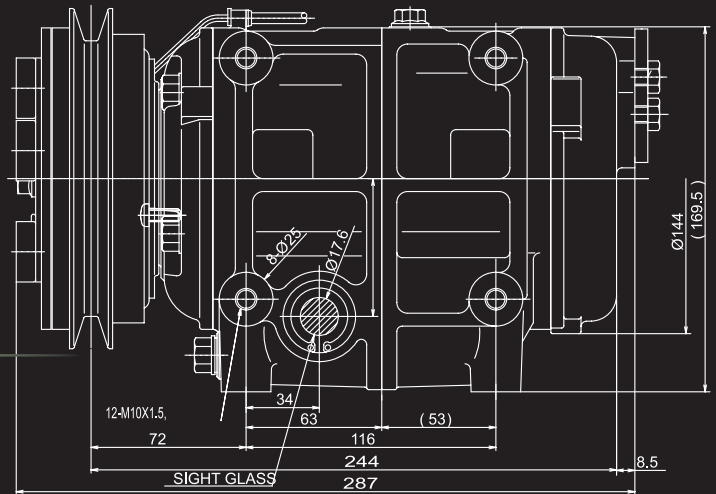
www.valeocompressors.com

| | |
|---------------------|------------------------------|
| MODEL | TM31/ DKS32 |
| DISPLACEMENT | 313cm ³ /rev. |
| NUMBER OF CYLINDERS | 10 |
| RANGE | 700-5000 |
| REFRIGERANT | HFC-134a |
| OIL | ZXL 100PG 500cm ³ |
| WEIGHT | 15.5Kg (with clutch) |
| MOUNT | Direct |

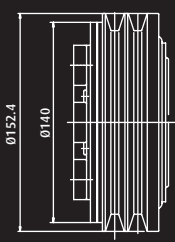
PERFORMANCE CURVES: TM31/ DKS 32



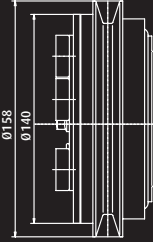
TEST CONDITIONS
 Discharge pressure: 1.52MPa (gage)
 Suction pressure : 0.18MPa (gage)
 Sub cool :5°C Super heat : 10°C



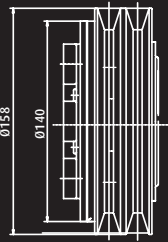
MAGNETIC CLUTCH VARIATIONS



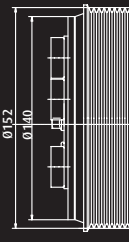
151-2AG



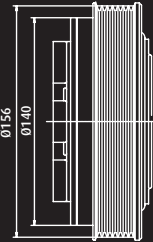
156-1BG



156-2BG

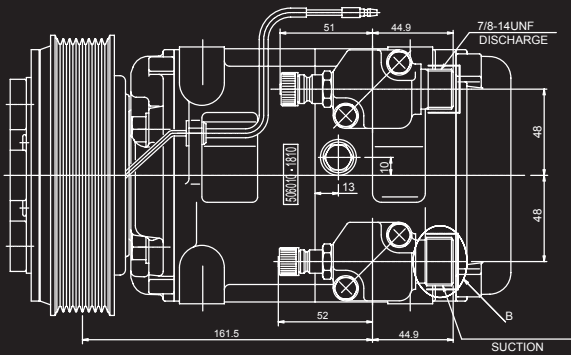


152-8PK

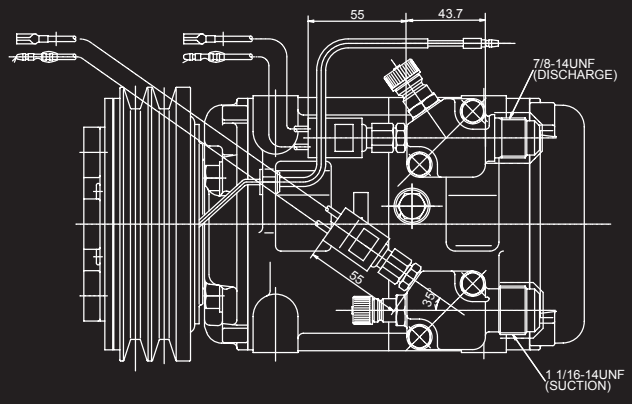


156-6PK

SUCTION & DISCHARGE CONNECTORS



Connectors with Charge Nipple



Connectors with Pressure Switch