

Technical specifications: TM-08



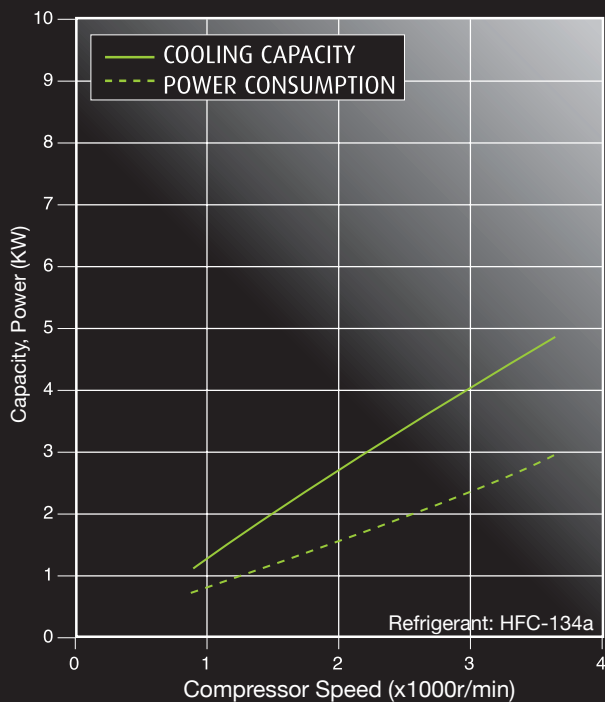
Compact & adaptable compressor
 - Large choice of clutches and fittings
 - High reliability
 - Suitable for Heavy Duty applications



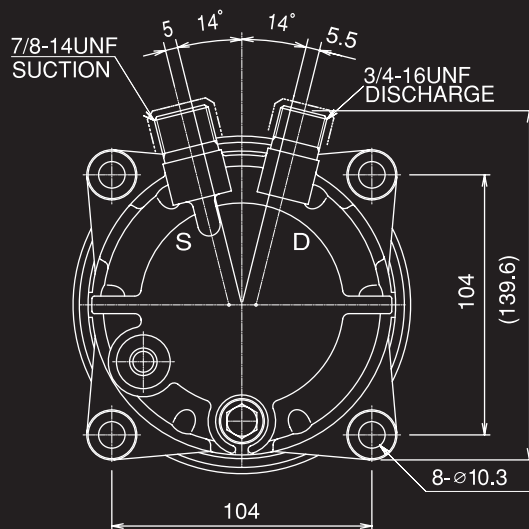
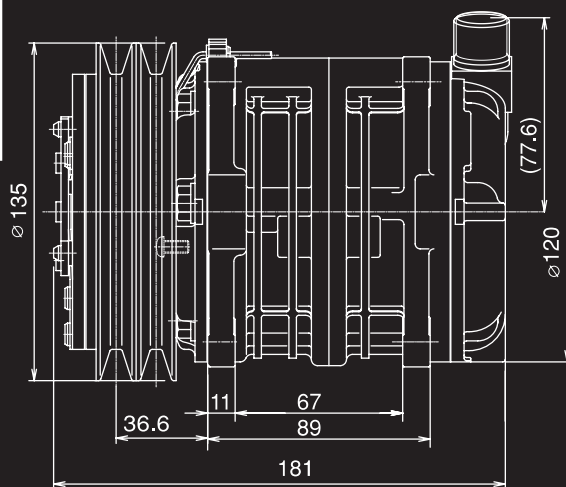
www.valeocompressors.com

| MODEL | TM-08B | TM-08D |
|-------------------|------------------------------|------------------------------|
| DISPLACEMENT | 82cm ³ /rev. | 82cm ³ /rev. |
| NUMBER OF PISTONS | 6 | 6 |
| RANGE | 700-6000 | 700-6000 |
| REFRIGERANT | HFC-134a | HFC-134a |
| OIL | ZXL 100PG 150cm ³ | ZXL 100PG 150cm ³ |
| WEIGHT | 6.2Kg (with clutch) | 6.2Kg (with clutch) |
| MOUNT | Vertical | Ear |

PERFORMANCE CURVES: TM-08 B&D



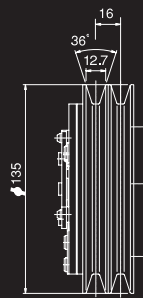
TEST CONDITIONS
 Discharge pressure: 1.52MPa (gage)
 Suction pressure : 0.18MPa (gage)
 Sub cool :5°C Super heat : 10°C



MAGNETIC CLUTCH VARIATIONS



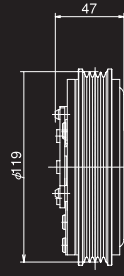
135-1AG



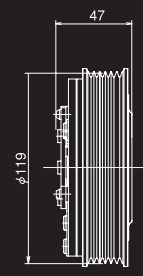
135-2AG



137-1BG

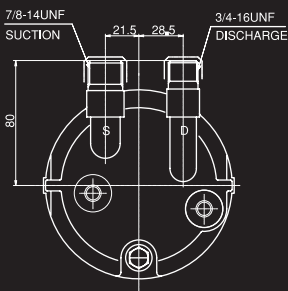


119-4PK

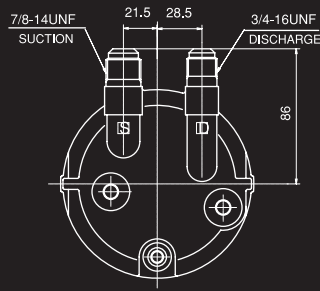


119-6PK

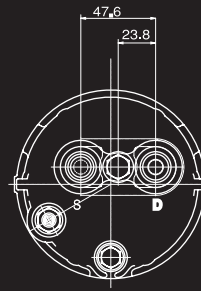
CYLINDER HEAD VARIATIONS



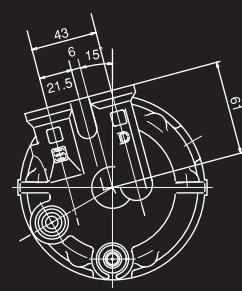
O-RING TYPE



FLARE TYPE



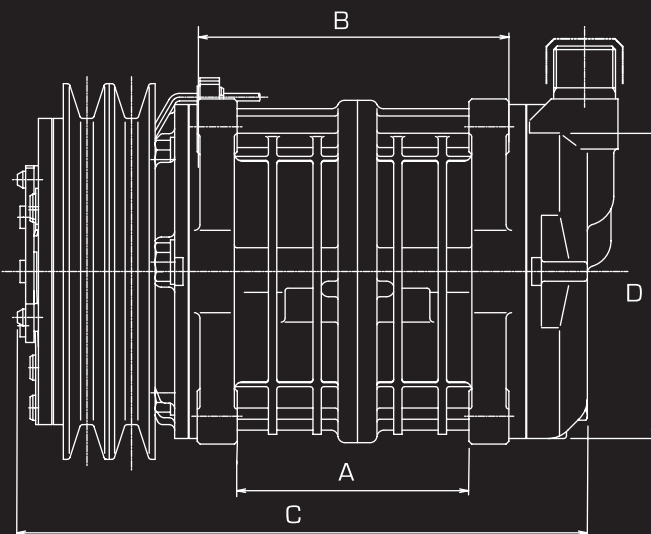
GM PAD TYPE



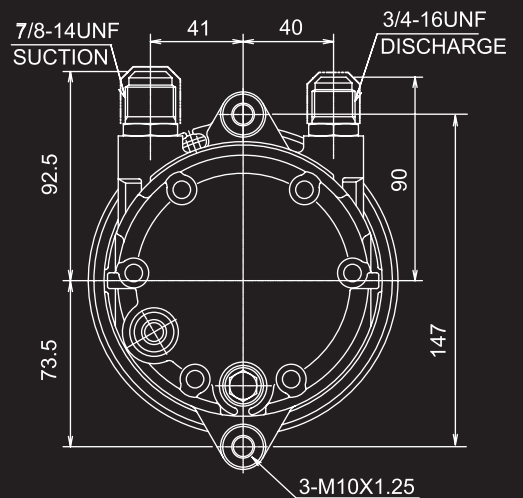
VERTICAL PAD TYPE

MOUNTING

EAR



VERTICAL



| | A | B | C | D | Oil capacity |
|---------------|------|-------|--------|--------|--------------|
| TM-08D | 67mm | 89 mm | 186 mm | 104 mm | 150 cc |